



Easypeasy



Specification Guide

Easypeasy was born from the idea to create a seating and table system that provides an easy way to offer modularity, colour, playfulness, and sustainability.

A chair, stool and table range that offers an easy way to incorporate hundreds of colour combinations with fast lead-times. A chair that offers an easy way to scale up sustainability credentials. A stool that offers two heights and an easy way to add or remove the backrest. A table that is transported flat and is easy and fast to assemble on site.

Easypeasy celebrates the power of simple design. Behind its friendly & playful name lies a clear idea — making things easy for designers, for installers, and for users to have some fun with their furniture.

Its modular system of chairs, stools and tables, offers 15 frame colours and 25 seat and backrest colours. And because it's so easy to assemble or disassemble, to change & swap components, it's easy to replace parts, reuse, or recycle.

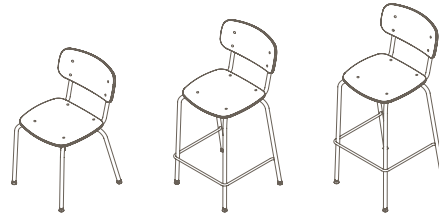
Easypeasy proves simplicity can be functional, sustainable, and can offer designers hundreds of colour combinations to bring fun to their projects.

It's Easypeasy.

Easypeasy

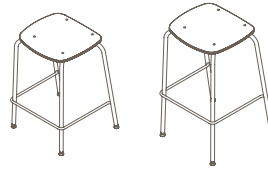
Chairs

5-7



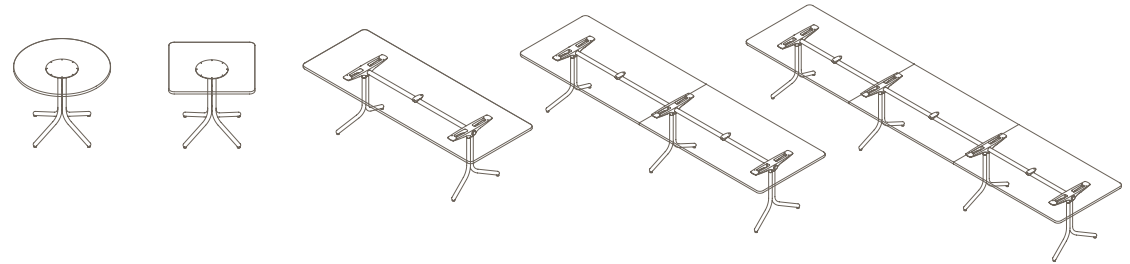
Stools

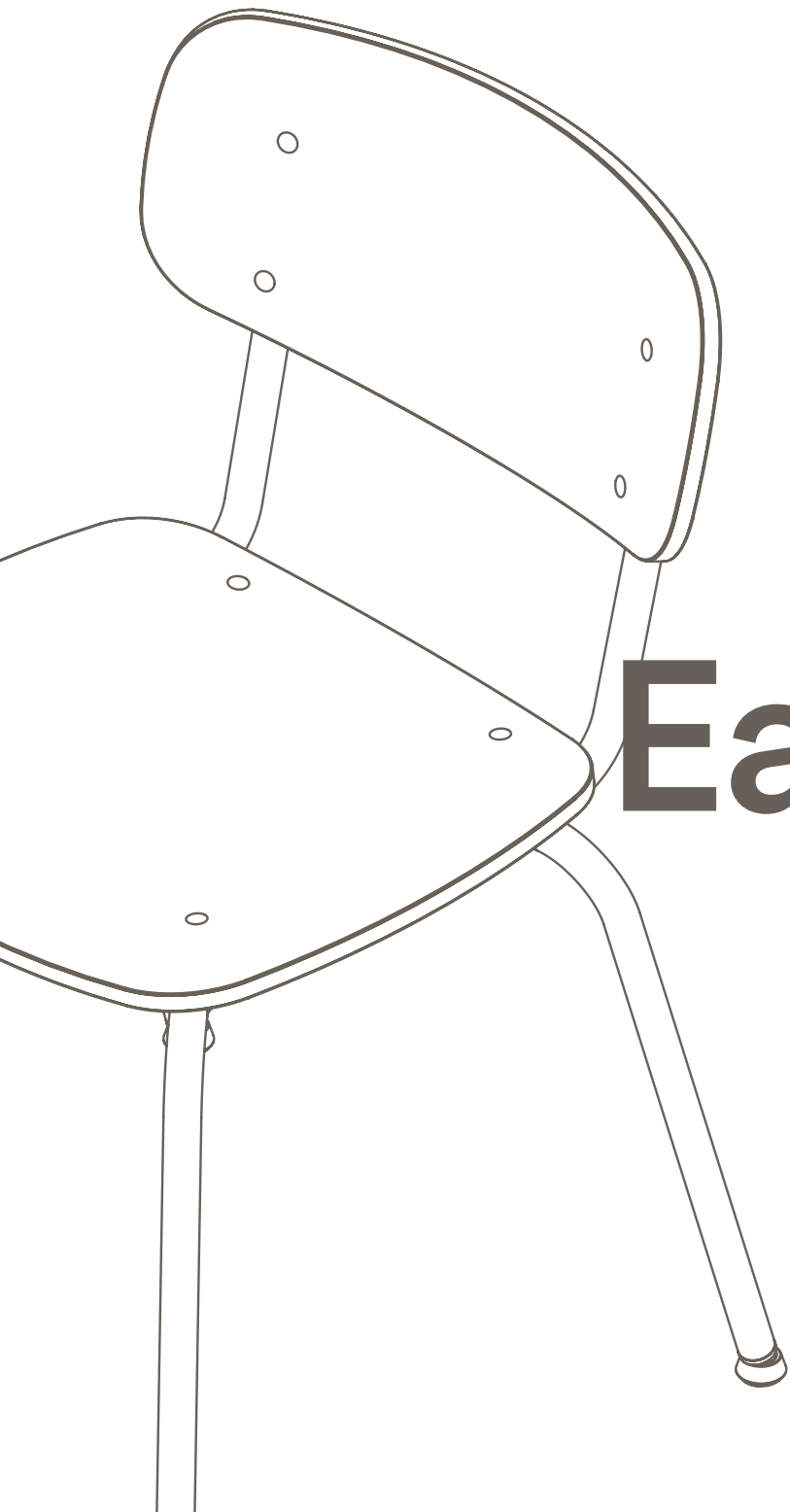
8-10



Tables

11-13





Easypeasy



Chair Finishes

Easypeasy features a robust tubular steel frame paired with a seat and backrest available in either FSC¹ certified timber or rHDPE² sourced from DEFY. Both finish options are designed to complement or contrast the steel framework and are available in a selection of seasonal finishes.

1. Frame Finishes

Featuring tubular steel frame finished in our seasonal powder-coated colours.



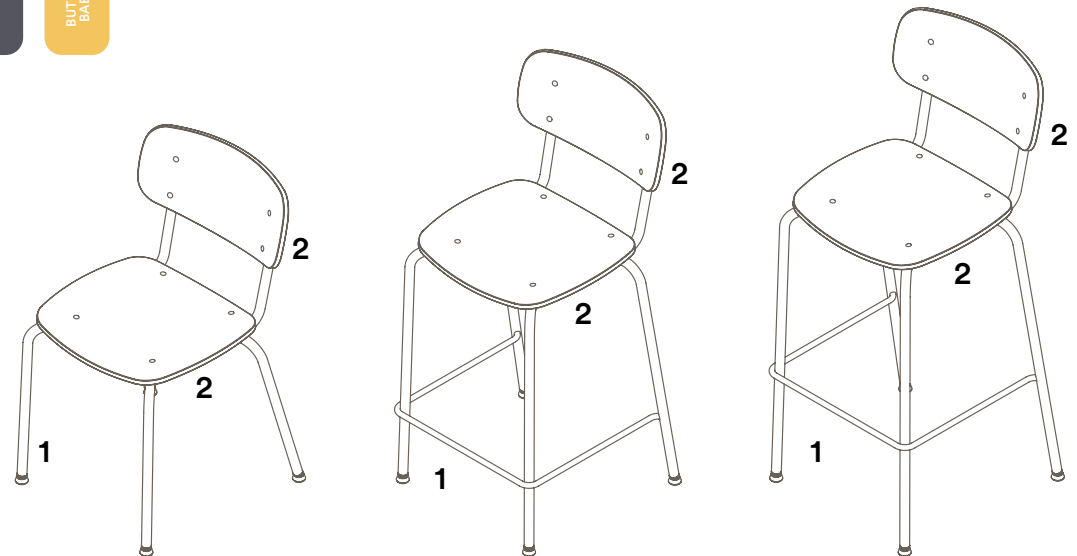
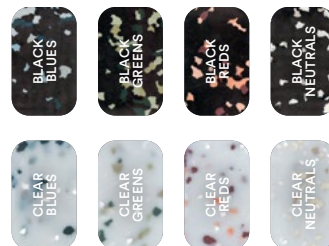
2. Timber Seat + Backrest Finishes

FSC Certified timber backrest and seat available in Ash Veneered Plywood, Walnut Stain, or painted in seasonal finishes with exposed timber grain. Finishes can be selected to complement or contrast the steel frame.



2. rHDPE Seat + Backrest Finishes

DEFY rHDPE backrest and seat is made from 95 - 100% post-consumer and post-industrial recycled plastic waste, and available in eight custom colour options.



¹ FSC = Foreest Stewardship Council
² rHDPE = recycled high-density polyethylene

Colours are representative only, please check with your Thinking Works Consultant to view samples of any specific colour. Please note that pricing will vary based on your selected finish.

Easypeasy Chairs

Materials Information

Frame

Powdercoated Steel

- a. Noir
- b. Blanc
- c. Double Cream
- d. Marble Rock
- e. Paddo Clay
- f. Pink Salt
- g. Terracotta Warrior
- h. Morello
- i. Green Smoke
- j. Cave Moss
- k. Moonshine
- l. Scotland Sky
- m. Shadow Teal
- n. Nocturnelle
- o. Butter Babes

Timber Seat + Backrest

- a. Natural Ash
- b. Walnut Stain
- c. Seasonal Solid Colour with Timber Grain

rHDPE Seat + Backrest

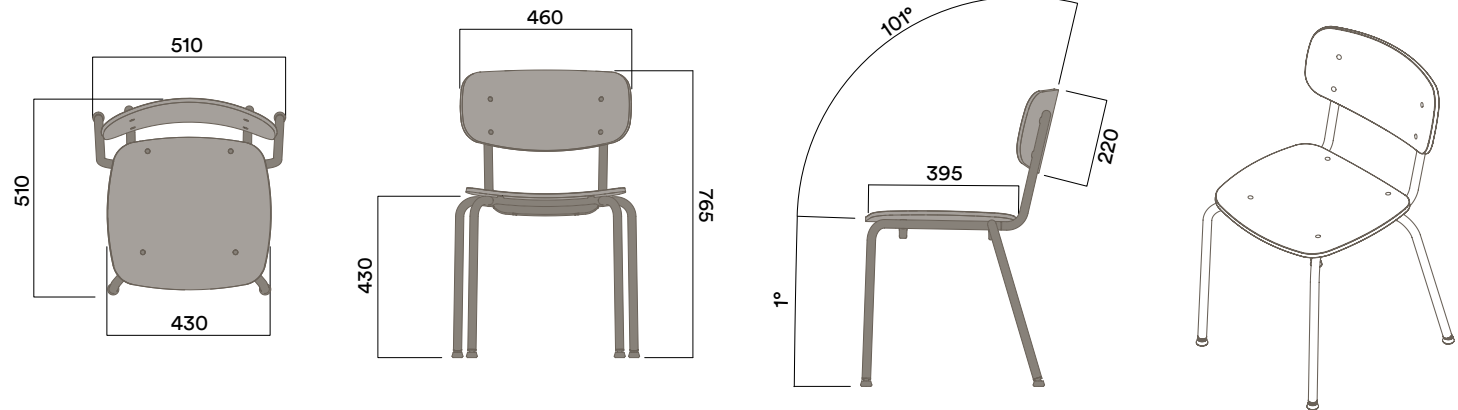
- a. DEFY Black Blues
- b. DEFY Black Greens
- c. DEFY Black Reds
- d. DEFY Black Neutrals
- e. DEFY Clear Blues
- f. DEFY Clear Greens
- g. DEFY Clear Reds
- h. DEFY Clear Neutrals

Maximum Load
Seats

120kg
1

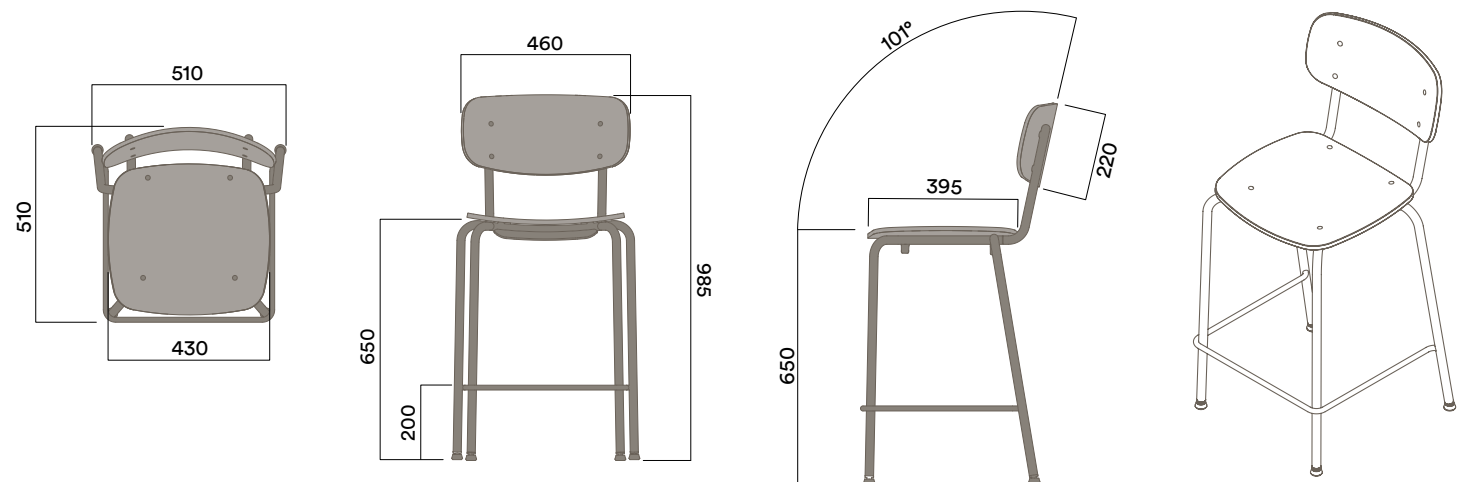
EPS-1100 / EPS-1101

Chair - Timber / rHDPE



EPS-2100 / EPS-2101

Mid Chair - Timber / rHDPE



Easypeasy Chairs

Materials Information

Frame

Powdercoated Steel

- a. Noir
- b. Blanc
- c. Double Cream
- d. Marble Rock
- e. Paddo Clay
- f. Pink Salt
- g. Terracotta Warrior
- h. Morello
- i. Green Smoke
- j. Cave Moss
- k. Moonshine
- l. Scotland Sky
- m. Shadow Teal
- n. Nocturnelle
- o. Butter Babes

Timber Seat + Backrest

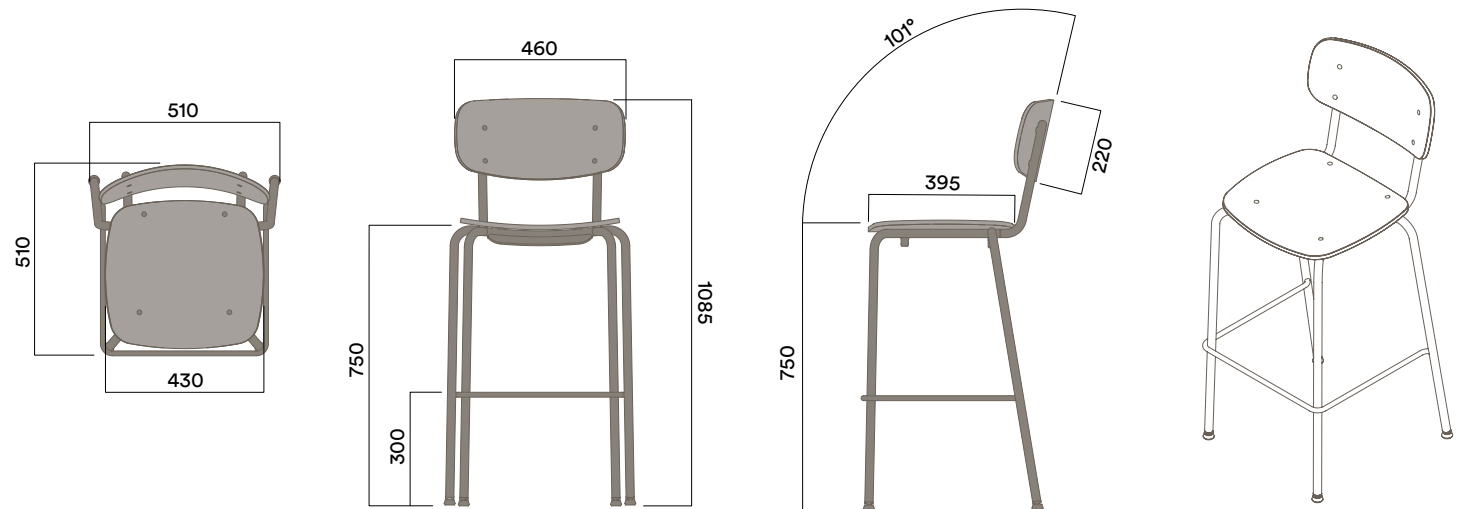
- a. Natural Ash
- b. Walnut Stain
- c. Seasonal Solid Colour with Timber Grain

rHDPE Seat + Backrest

- a. DEFY Black Blues
- b. DEFY Black Greens
- c. DEFY Black Reds
- d. DEFY Black Neutrals
- e. DEFY Clear Blues
- f. DEFY Clear Greens
- g. DEFY Clear Reds
- h. DEFY Clear Neutrals

EPS-3100 / EPS-3101

High Chair - Timber / rHDPE



Maximum Load
Seats

120kg
1

Stool Finishes

Easypeasy features a robust tubular steel frame paired with a seat and backrest available in either FSC¹ certified timber or rHDPE² sourced from DEFY. Both finish options are designed to complement or contrast the steel framework and are available in a selection of seasonal finishes.

1. Frame Finishes

Featuring tubular steel frame finished in our seasonal powder-coated colours.



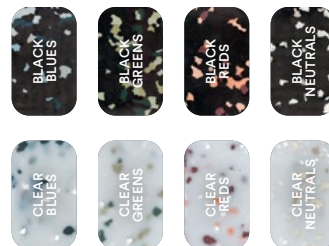
2. Timber Seat Finishes

FSC Certified timber backrest and seat available in Ash Veneered Plywood, Walnut Stain, or painted in seasonal finishes with exposed timber grain. Finishes can be selected to complement or contrast the steel frame.



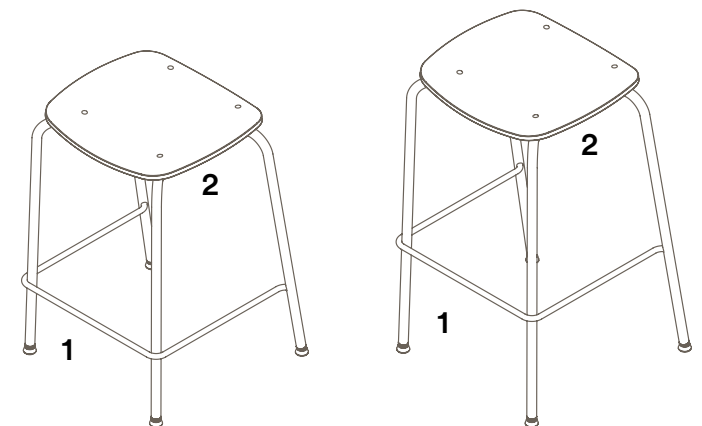
2. rHDPE Seat Finishes

DEFY rHDPE backrest and seat is made from 95 - 100% post-consumer and post-industrial recycled plastic waste, and available in eight custom colour options.



¹ FSC = Foreest Stewardship Council
² rHDPE = recycled high-density polyethylene

Colours are representative only, please check with your Thinking Works Consultant to view samples of any specific colour. Please note that pricing will vary based on your selected finish.



Easypeasy Stools

Materials Information

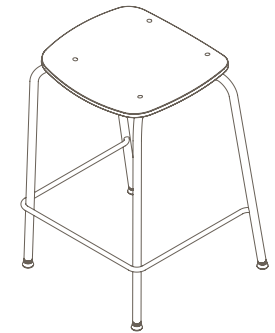
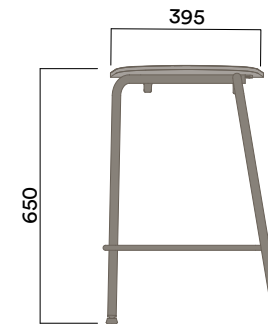
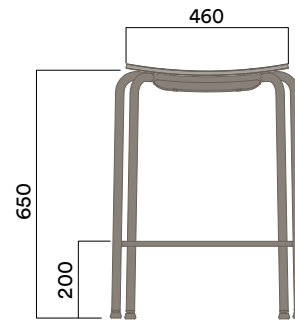
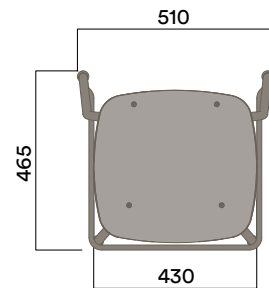
Frame

Powdercoated Steel

- a. Noir
- b. Blanc
- c. Double Cream
- d. Marble Rock
- e. Paddo Clay
- f. Pink Salt
- g. Terracotta Warrior
- h. Morello
- i. Green Smoke
- j. Cave Moss
- k. Moonshine
- l. Scotland Sky
- m. Shadow Teal
- n. Nocturnelle
- o. Butter Babes

EPS-2000 / EPS-2001

Mid Stool - Timber / rHDPE



EPS-3000 / EPS-3001

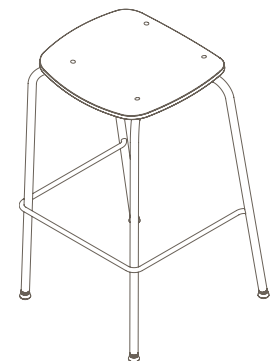
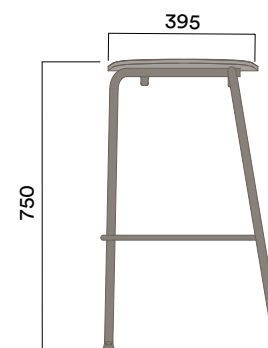
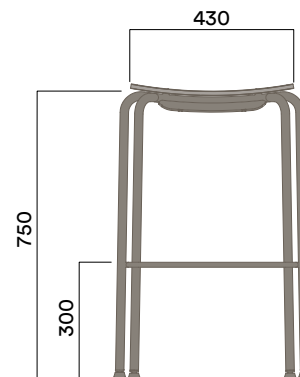
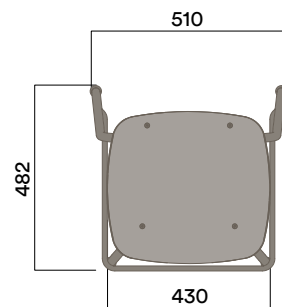
High Stool - Timber / rHDPE

Timber Seat + Backrest

- a. Natural Ash
- b. Walnut Stain
- c. Seasonal Solid Colour with Timber Grain

rHDPE Seat

- a. DEFY Black Blues
- b. DEFY Black Greens
- c. DEFY Black Reds
- d. DEFY Black Neutrals
- e. DEFY Clear Blues
- f. DEFY Clear Greens
- g. DEFY Clear Reds
- h. DEFY Clear Neutrals



Maximum Load
Seats

120kg
1

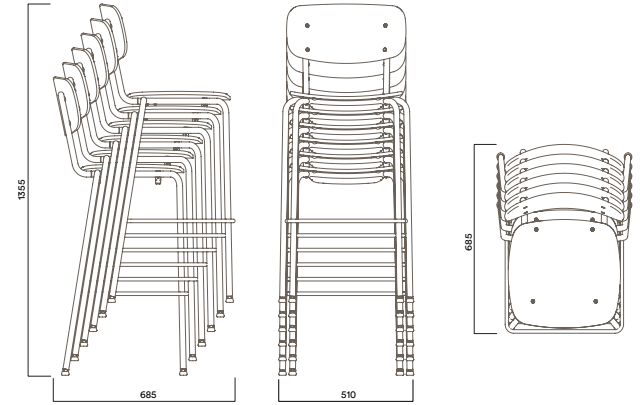
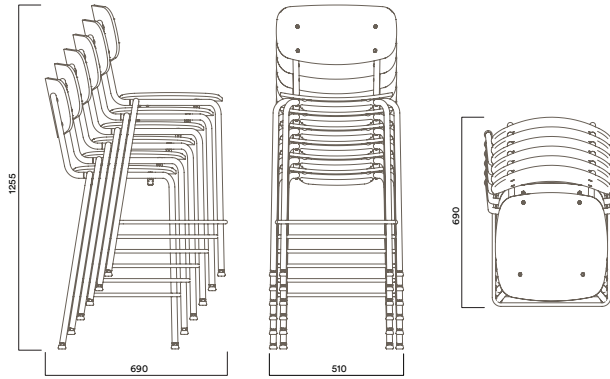
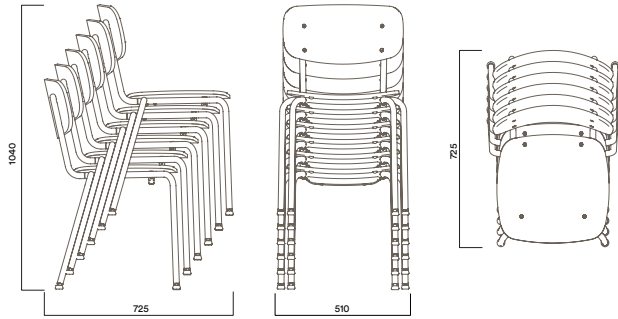
Easypeasy Stacking

Chairs

EPS-1100 / EPS-1101

EPS-2100 / EPS-2101

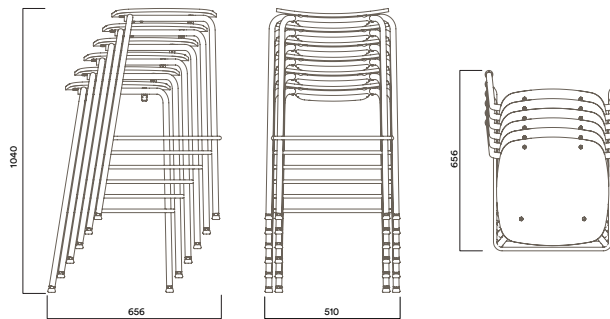
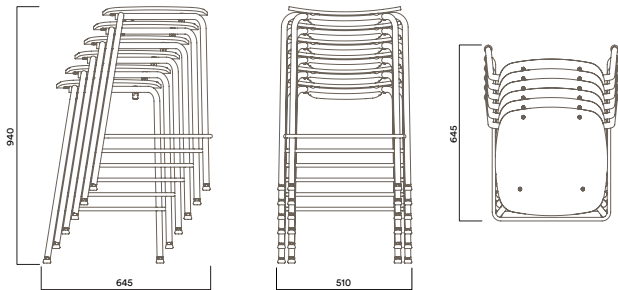
EPS-3100 / EPS-3101



Stools

EPS-2000 / EPS-2001

EPS-3000 / EPS-3001



Recommended Stacking Height

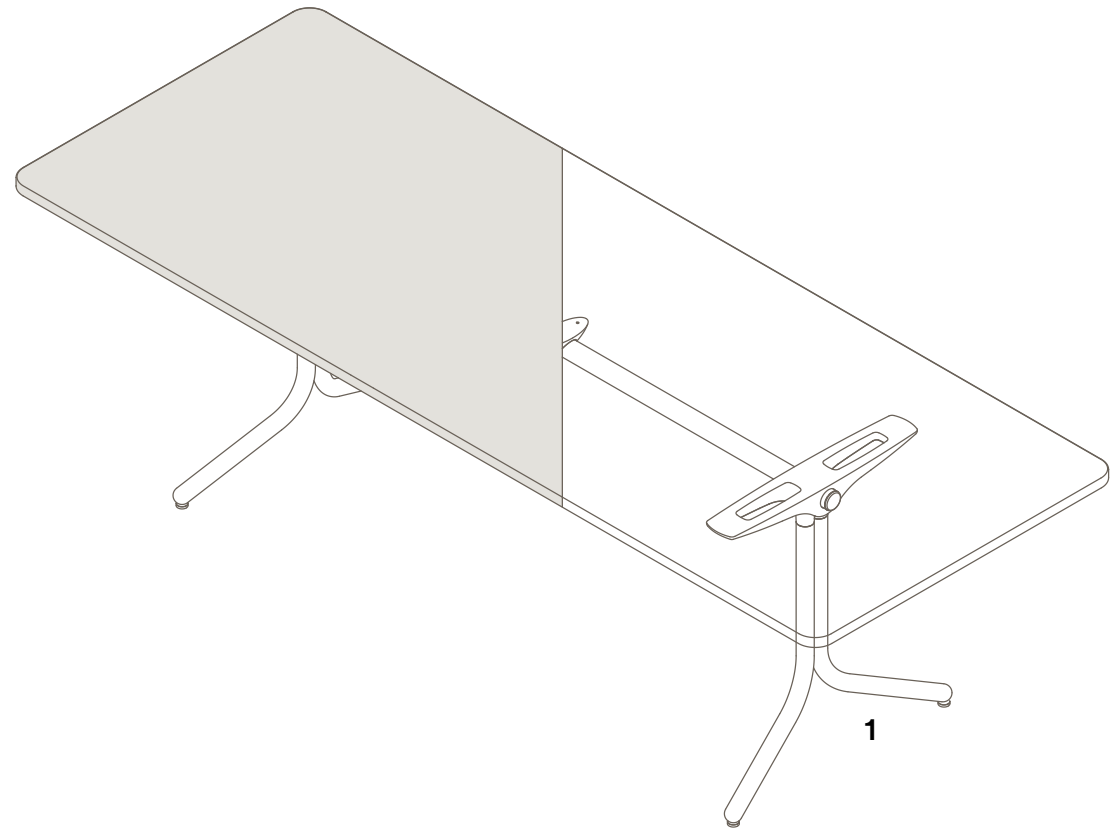
6-8 Chairs

Table Finishes

Featuring a precision welded high-tensile mild steel frame, providing superior strength and long-term performance available in Noir (standard) or powder-coated in our seasonal finishes.

1. Frame Finishes

A four legged tubular steel table frame available in our current seasonal powdercoat colour.



Colours are representative only, please check with your Thinking Works Consultant to view samples of any specific colour.

Easypeasy Tables

Materials Information

Frame

Powdercoated Steel

- a. Noir
- b. Blanc
- c. Double Cream
- d. Marble Rock
- e. Paddo Clay
- f. Pink Salt
- g. Terracotta Warrior
- h. Morello
- i. Green Smoke
- j. Cave Moss
- k. Moonshine
- l. Scotland Sky
- m. Shadow Teal
- n. Nocturnelle
- o. Butter Babes

EPT-1020 4 Star Table 740mm (standard height)



EPT-1000 2 Leg Table 740mm (standard height)



4 Star Table

Maximum inc. Worktop 40kg
 Maximum Point Load 30kg
 Seats 2 - 4

2 Leg Table

Maximum inc. Worktop 100kg
 Maximum Point Load 50kg
 Seats 6 - 10

Easypeasy Tables

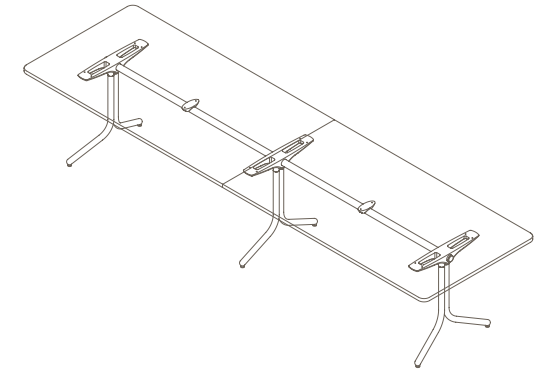
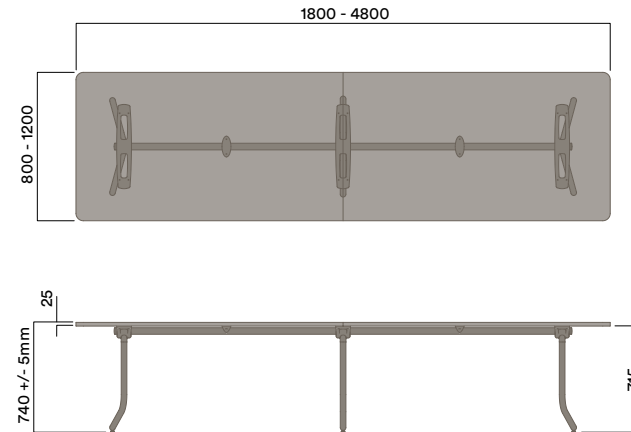
Materials Information

Frame

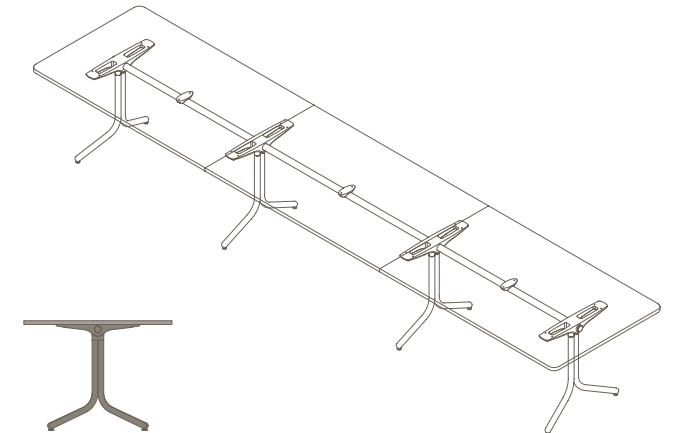
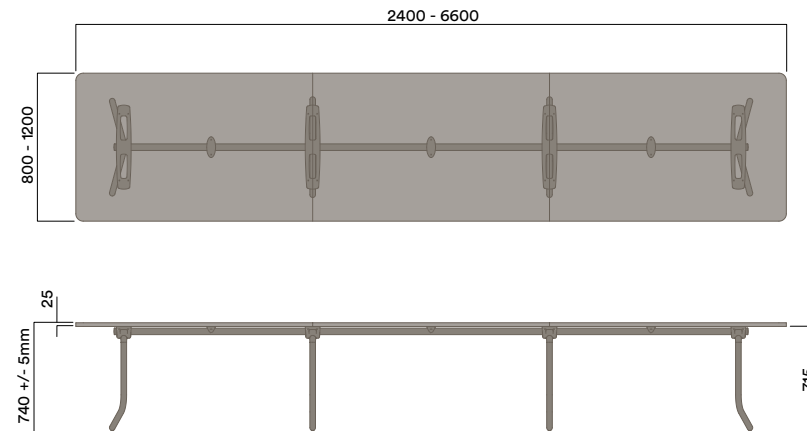
Powdercoated Steel

- a. Noir
- b. Blanc
- c. Double Cream
- d. Marble Rock
- e. Paddo Clay
- f. Pink Salt
- g. Terracotta Warrior
- h. Morello
- i. Green Smoke
- j. Cave Moss
- k. Moonshine
- l. Scotland Sky
- m. Shadow Teal
- n. Nocturnelle
- o. Butter Babes

EPT-1040 3 Leg Table 740mm (standard height)



EPT-1041 4 Leg Table 740mm (standard height)



3 Leg Table

Maximum inc. Worktop 130kg
Maximum Point Load 50kg
Seats 10 - 14

4 Leg Table

Maximum inc. Worktop 160kg
Maximum Point Load 50kg
Seats 14 - 20



Specification

Due to our policy of continuous product development, specifications and finishes may change without prior notice.

Sustainability

Our commitment to sustainability isn't driven by trends, it is guided by our belief that doing the right thing is the only way forward. From product certifications to responsible sourcing, we are committed to taking meaningful action across every part of our business. To learn more about our sustainability journey, visit the Thinking Works website or contact our Sustainability & ESG Manager using the details below.

Thinking Works
© Copyright 2025
All right reserved

Thinking Works
Warehouse 2B/M5 Industry Park
1 Moorebank Ave, Moorebank
New South Wales 2170
Australia

commercialimages
evolving workspaces

e: office@commercialimages.com.au
a: 11/121 newmarket rd windsor qld 4030
w: commercialimages.com.au t: 07 3844 9100